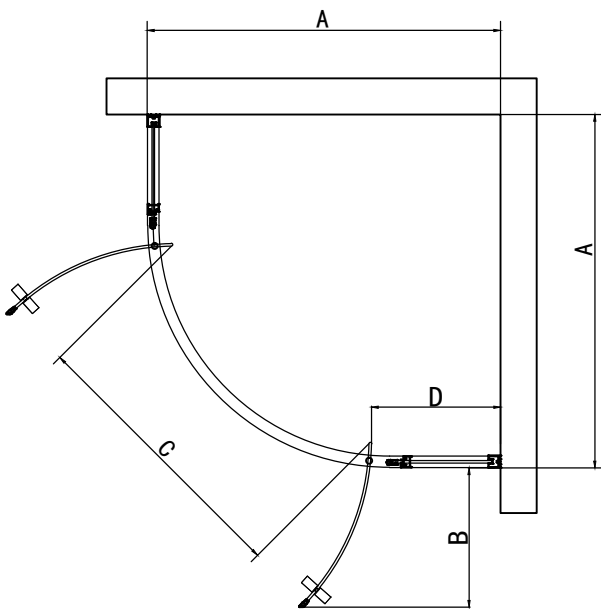
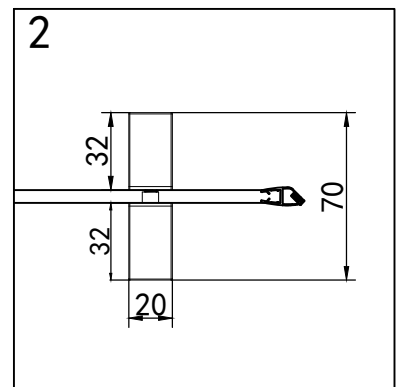
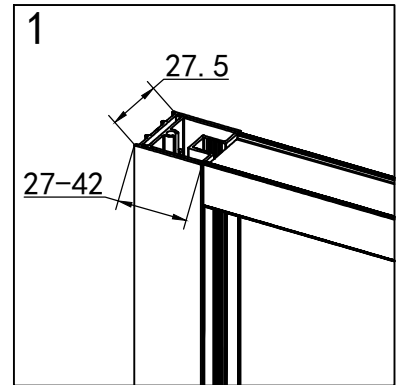
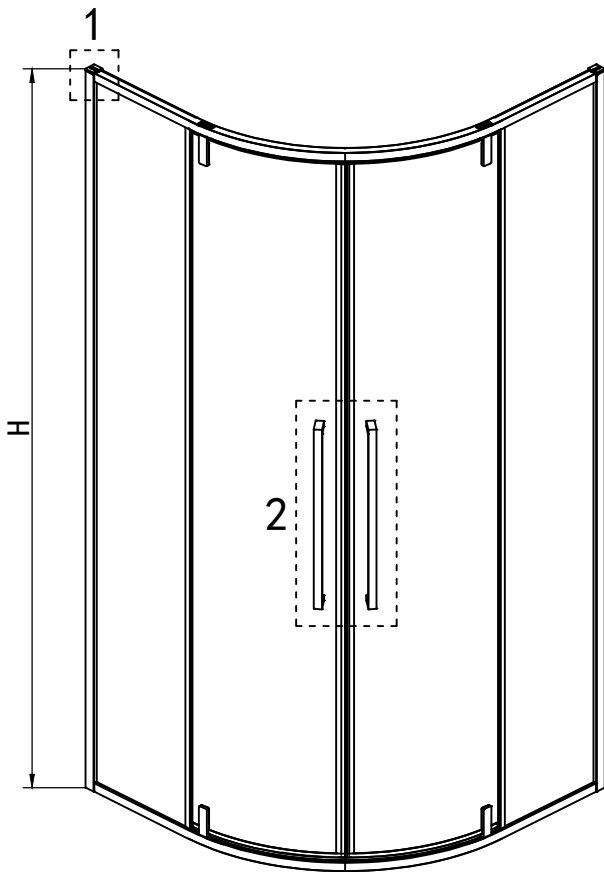


# RGW SV-53



	A	B	C	D	H
800x800x2000	780-795	310	610±10	285	2000
900x900x2000	880-895	310	610±10	385	2000
1000x1000x2000	980-995	310	610±10	485	2000