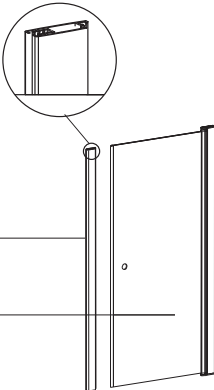


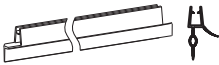

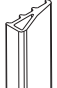
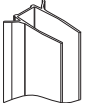













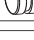








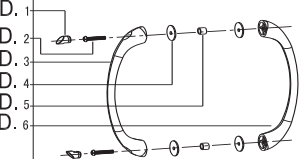



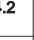

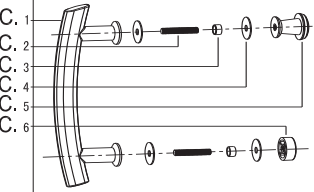


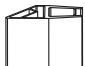
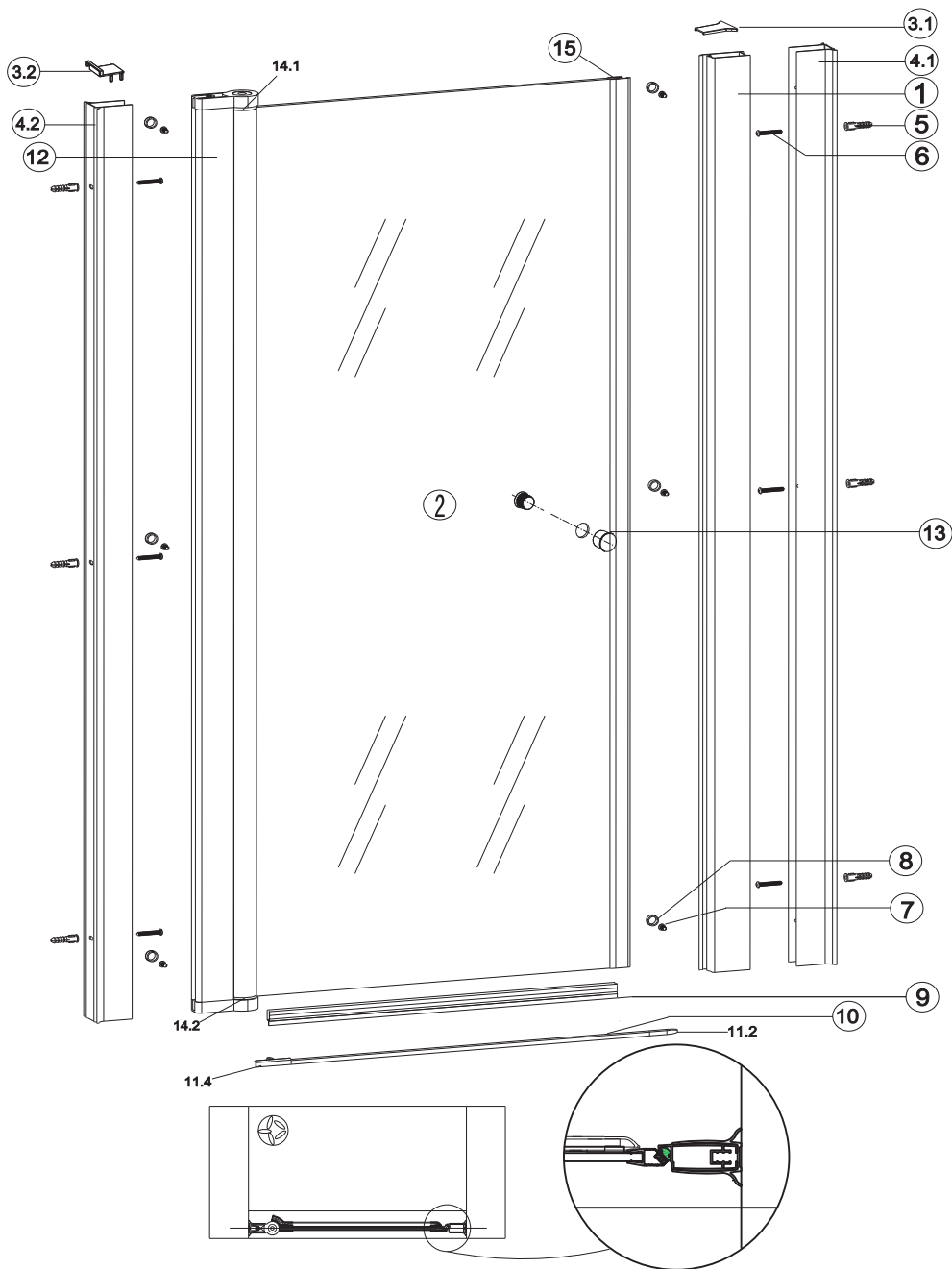
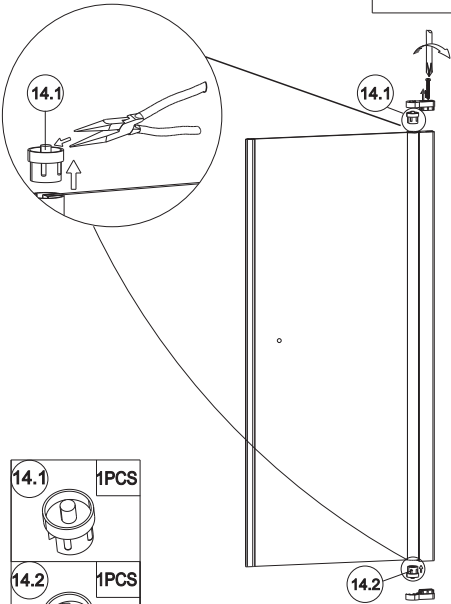


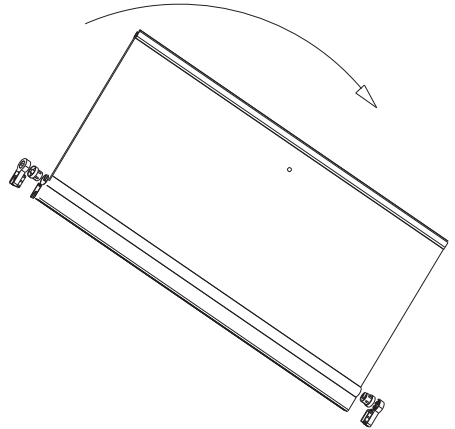
NO.	Designation	Pieces	NO.	Designation	Pieces
1		X1 X1			
3.1		X1	9		X1
3.2		X1	10		X1
4.1		X1	11.1		X1
4.2		X1	11.2		X1
5	 $\phi 8$	X6+1	11.3		X1
6	 $\phi 4$ ST4X35	X6+1	11.4		X1
7	 $\phi 4$ ST4X10	X4+1	12		X1
8		X4+1	A.1		X1
			A.2		X1
			B.1		X2
			B.2		X2
			B.3		X1
			B.4		X1
			C.1		X1
			C.2		X2
			C.3		X2
			C.4		X4
			C.5		X1
			C.6		X1
			D.1		X2
			D.2		X2
			D.3		X1
			D.4		X4
			D.5		X2
			D.6		X1
			13		
			14.1		X1
			14.2		X1
			15		X1



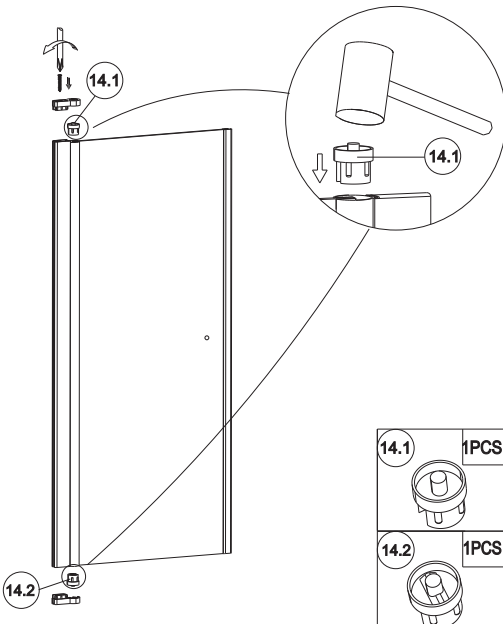
L01



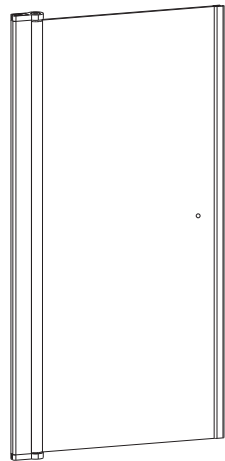
L02



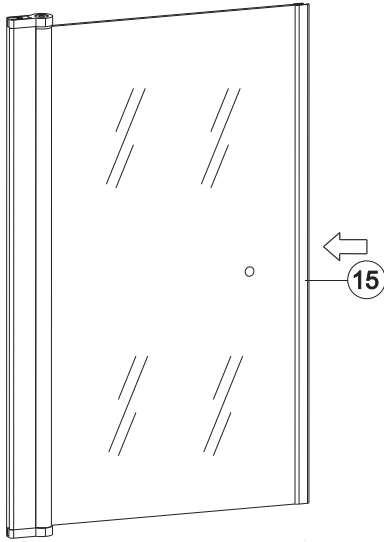
L03



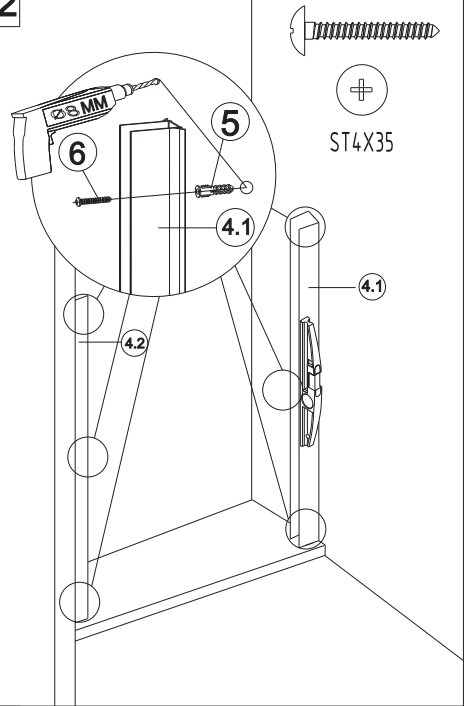
L04



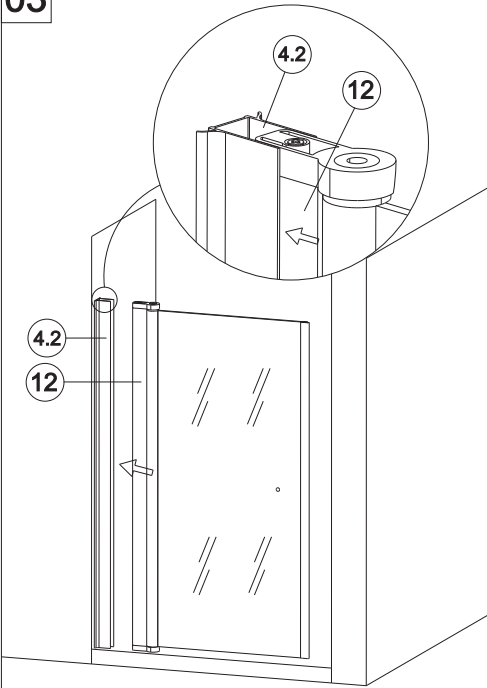
01



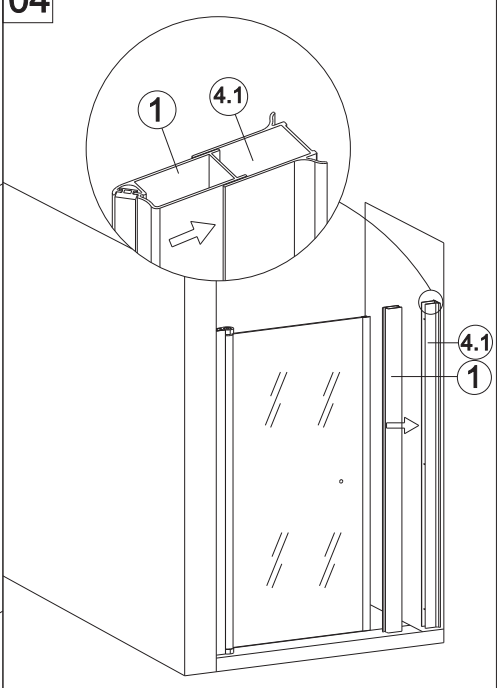
02



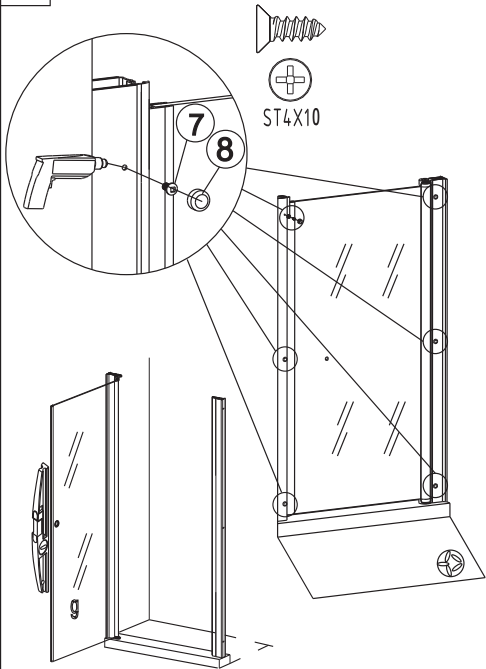
03



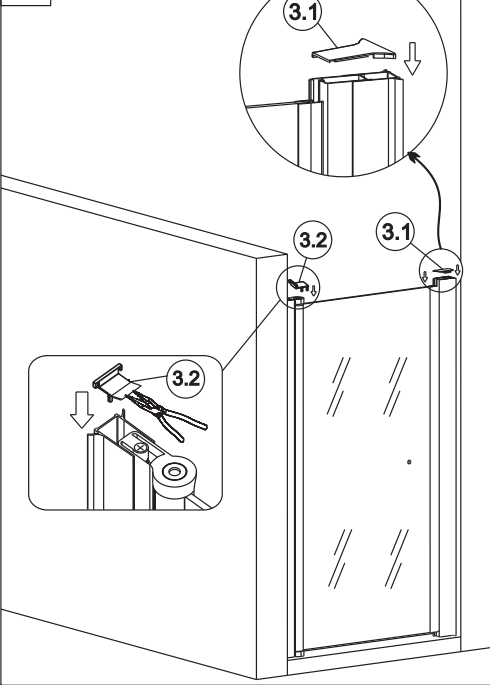
04



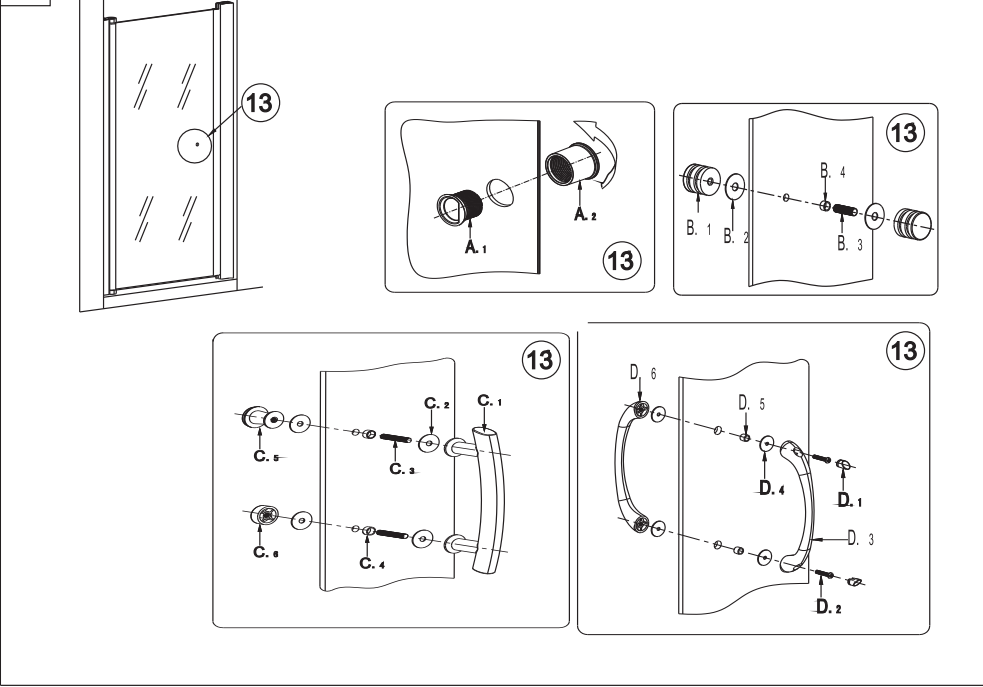
05



06



07



08

